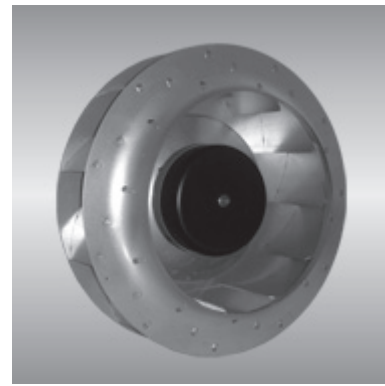


Ø 250 BG series x110mm



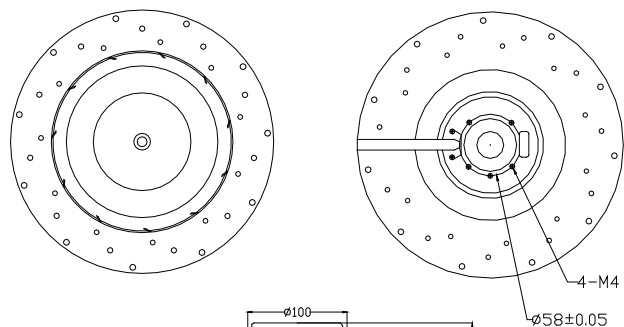
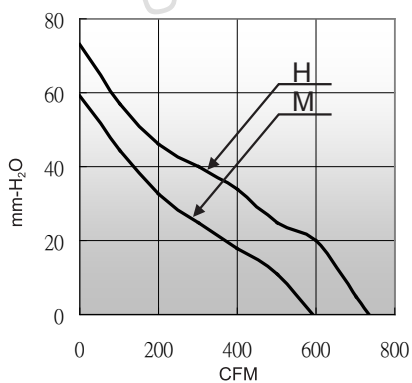
General Specifications

- Motor : 8 Poles brushless DC motor
- Frame & Impeller : Al die casting & plastic
- Storage temperature : -40°C to +75°C
- Operating temperature : -10°C to +70°C

Major Characteristic Parameters

Model	Bearing System	Rated Voltage	Operating Voltage Range	Rated Current	Rated Speed	Maximum Air Flow		Maximum Static Pressure		Sound Level	Weight
Part NO.	B / S / F	V	V	A	RPM	m ³ /min	CFM	mm-H ₂ O	In-H ₂ O	dBA	Kg
BGN250110B24M	B	24	18.0~28.0	5.0	2400	17.78	628	63.2	2.49	63	1.95
BGN250110B48H	B	48	36.0~56.0	2.7	2600	19.29	681	68.5	2.70	68	1.95

*Bearing system B: Two Ball Bearing F: Fluid Bearing S: Sleeve Bearing



unit:mm

